



USER MANUAL COLUMN

MODEL: 3192/3193/3194 (ADAPTER)

MODEL: 3196/3197/3198 (BATTERY)

TABLE OF CONTENTS

Dimensions and technical specifications	3
General safety information	4
Installation	5
Replacement of battery and pump	9
Application	11
Light indicator	11
Cleaning and maintenance	12
Replacement of disinfectant bottle	12
Troubleshooting and corrective actions	13
Parts list	14

IMPORTANT!

This product falls within the scope of the WEEE directive on recycling and recovery of waste electrical and electronic equipment.



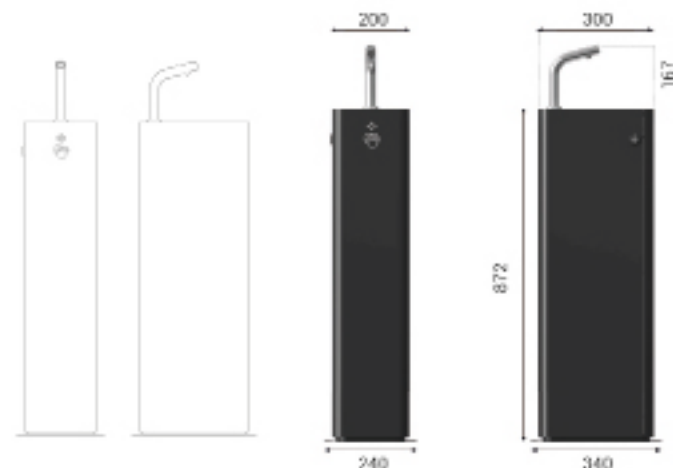
- This product should not be disposed of with general household waste
- This product must be reused if possible
- Contact your local authority for further details
- This product may also be returned to the manufacturer/retailer for proper treatment, recovery, and recycling



DIMENSIONS AND TECHNICAL SPECIFICATIONS

Dimensions

Unit of measurement: mm



TECHNICAL SPECIFICATIONS

DESCRIPTION	DATA
Material	Steel
Voltage (adapter version)	6V DC, 230VAC/6VDC adapter included
Voltage (battery version)	6V DC, battery box (included) for 4x D-type LR20 batteries (not included)
Sensor type	Infrared, self adjusting
Sensor range	Preset at 100 mm
Dosage amount	1-1.2 ml (4100-5000 activations / 5 litre bottle)
Pump life	100,000 activations
Mechanism life	500,000 activations
Bottle	5 l
Net weight	17.1 kg
Gross weight	19.6 kg

PRODUCT TYPE / MODEL

Adapter

- 3192 Sanitiser stand, white
- 3193 Sanitiser stand, black
- 3194 Sanitiser stand, RAL Classic

Battery

- 3196 Sanitiser stand, white
- 3197 Sanitiser stand, black
- 3198 Sanitiser stand, RAL Classic



GENERAL SAFETY INFORMATION

WARNING 

- Turn off the power to the unit before servicing or cleaning
- Never make alterations to the product
- Never insert objects into any opening in the product
- The product is not intended for playing purposes
- Cleaning and maintenance only by qualified persons
- The product may only be used for the applications described in this manual
- Do not use any accessories not recommended by the manufacturer
- The product should be checked on a regular basis. Never use a defective or malfunctioning unit
- Never make alterations to the product affecting its performance. DAN DRYER's product warranty does not cover product problems that result from misuse or alteration

NOTE

If the power cord is damaged, it must be replaced immediately. Disconnect the electricity supply cord according to instructions.

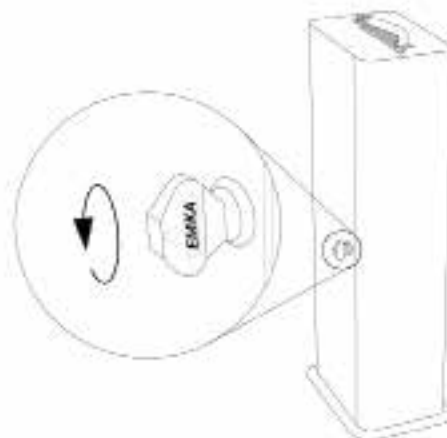
This product is not intended for use by persons (inclusive children) with reduced physical, sensory or mental capabilities, or lack of experience and knowledge, unless they are supervised or have been given instructions concerning use of the product by a person responsible for their safety.

Children should be supervised to ensure this product is used correctly.

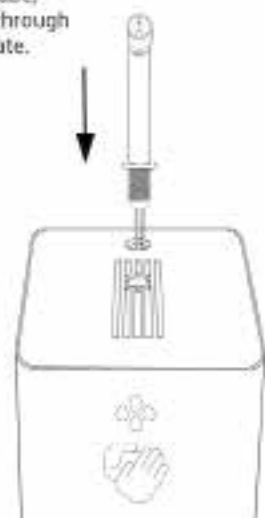
INSTALLATION

Make sure the main breaker is turned off. Installation must be carried out by a qualified person in accordance with applicable standards in the country concerned.

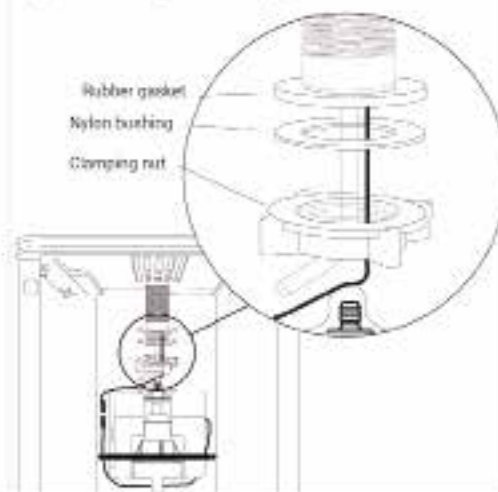
- 1) Use the special key supplied to open the door.



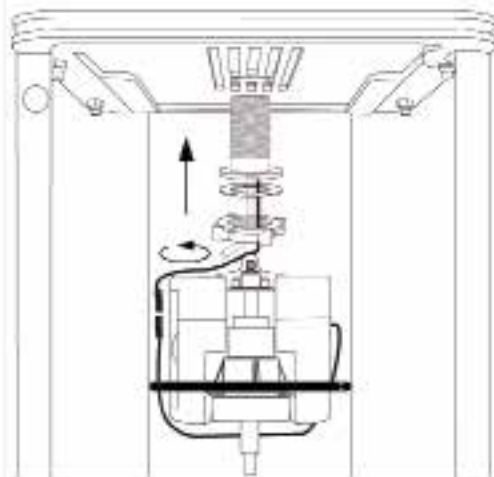
- 2) Pull wire, plastic tube, and faucet coupling through the hole in the top plate.



- 3) Pull tube and wire through the rubber gasket, nylon bushing, and clamping nut.

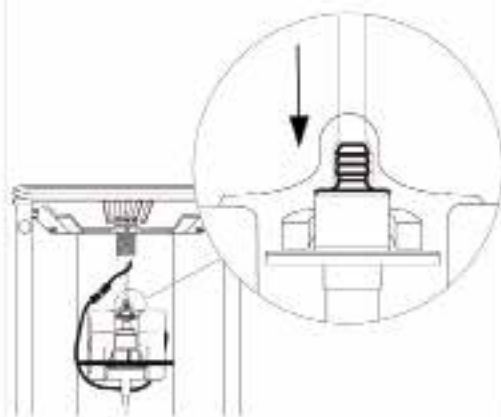


- 4) Place faucet in the centre before tightening the nut. Do not use any tools.

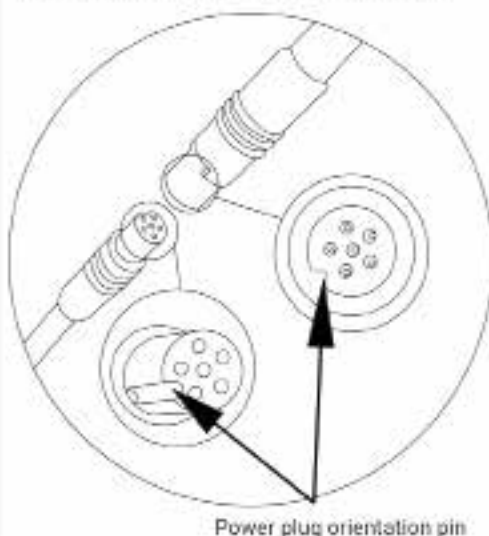


INSTALLATION

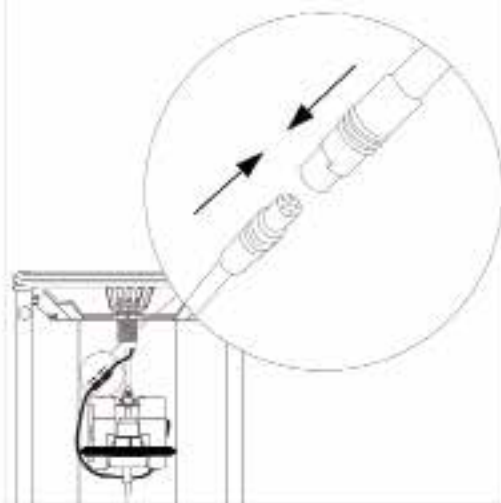
5) Attach the transparent plastic hose to the pump nozzle piece



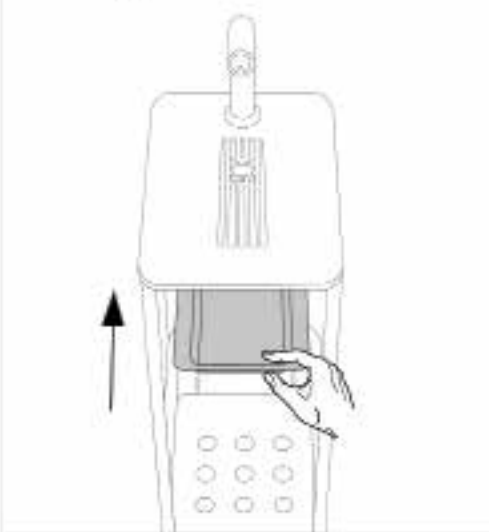
6) Pay attention to power plug orientation pin.



7) Connect the plugs on the wires between faucet and control box.



8) Insert drip tray in the support rails, lengthwise, under the top plate.



INSTALLATION

ADAPTER (MODEL 3192-3194)

9,1A) Connection with adapter. Push cable through the cable lead-in at the bottom of COLUMN.



ADAPTER (MODEL 3192-3194)

9,2A) Push cable further upward and through the 'rack'.



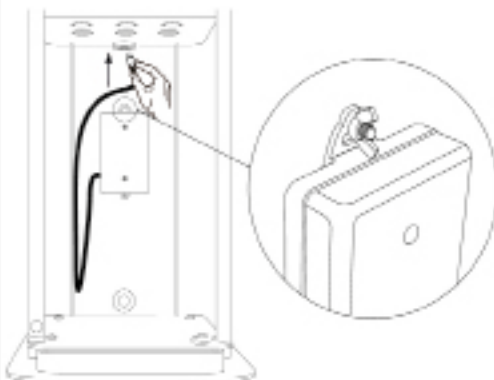
BATTERY (MODEL 3196-3198)

9,1B) Connect to external battery box. Install battery box on backplate bracket in the lower storage space. Tighten using the butterfly nut.



BATTERY (MODEL 3196-3198)

9,2B) Push cable through the rack via the cable lead-in.



INSTALLATION

10) Power connection to box. Connect plug to the control box.



11) Take off 5 litre bottle screw lid. We recommend you drill a $\varnothing 7$ hole for the hose. Or remove the lid completely.



12) Place the 5 litre bottle on the rack. Insert the tube through the hole in the lid and into the bottle.



13) Close front cover and the unit is ready for use.

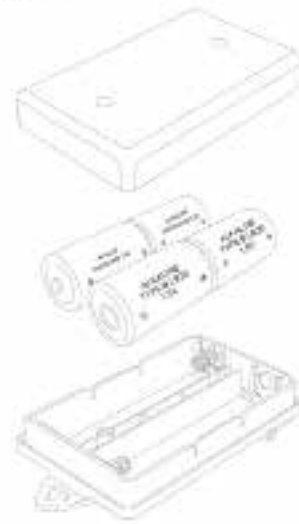


REPLACEMENT OF BATTERIES AND PUMP

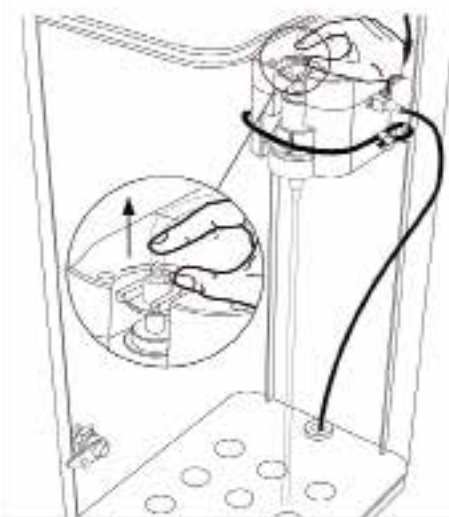
14) Open the battery pack with a screwdriver PH2.



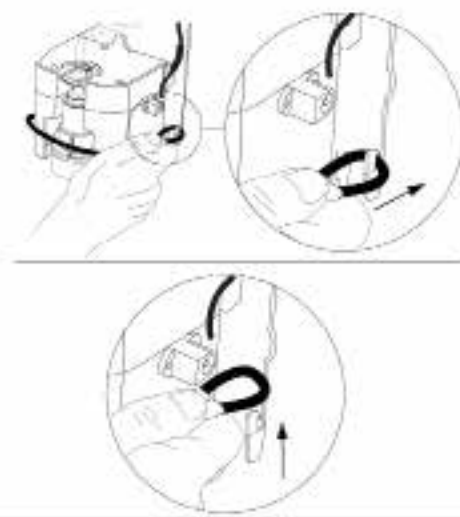
15) Replace (4) D-batteries in the battery pack.



16) Replacement of pump unit. Remove tube from pump unit.

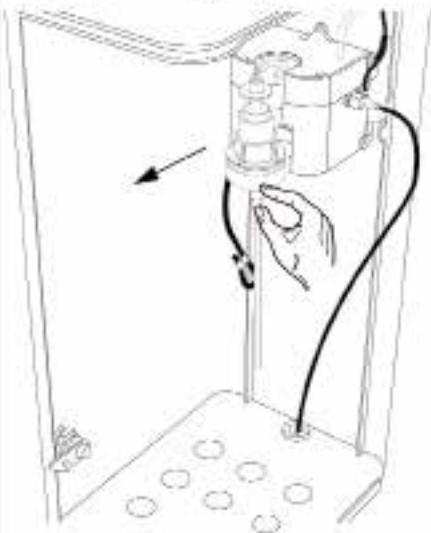


17) Detach clip from hooks as shown.



REPLACEMENT OF BATTERIES AND PUMP

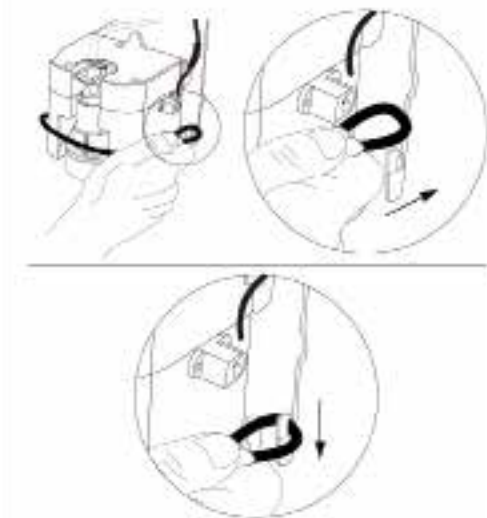
18) Remove existing pump unit.



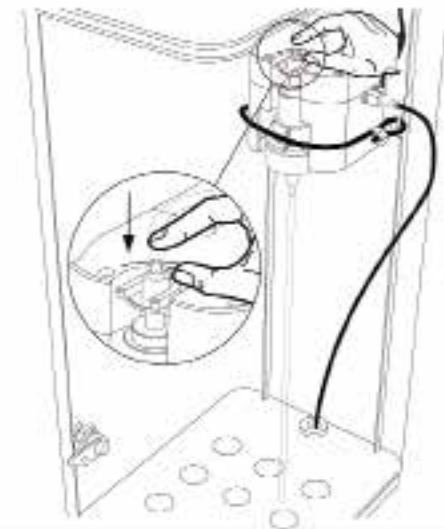
19) Insert new pump. Make sure the pump guideways fit those of the control box. See illustrations.



20) Attach the clip on the hooks as shown.



21) Attach tube to the new pump unit.



PRODUCT APPLICATION

- Place hands approx 2-10 cm under the sensor to activate the dispenser. The dispenser will release 1-1.2 ml. disinfectant gel
- Move hands away after disinfectant release
- Stops automatically when hands are moved away

IMPORTANT!

- Ensure easy access to cleaning and maintenance of the product
- Do not bend the plastic tube too sharp. It will cause reduced dosage or total block total blockage in tube
- Ensure the unit is placed on a firm and stable base

LIGHT INDICATOR (ADAPTER)

Standby	Red light
Active	Green light
Obstruction of sensor	Flashing green and red light

LIGHT INDICATOR (BATTERIES)

Standby	No light
Active	Green light
Obstruction of sensor	Flashing green and red light

CLEANING AND MAINTENANCE

Routine cleaning and maintenance is recommended

REPLACEMENT OF DISINFECTANT BOTTLE

- Use the key supplied to open the door
- Remove empty bottle from the rack
- Replace with new bottle
- Insert pump tube into the bottle
- Close the door

CLEANING AND MAINTENANCE OF CONTROL BOX

- Cut the power
- Remove any dust and dirt
- Do not rinse with running water
- Use a damp cloth and mild cleaning solution. Never use cleaning detergents with an abrasive effect

CLEANING AND MAINTENANCE OF TAP/SENSOR

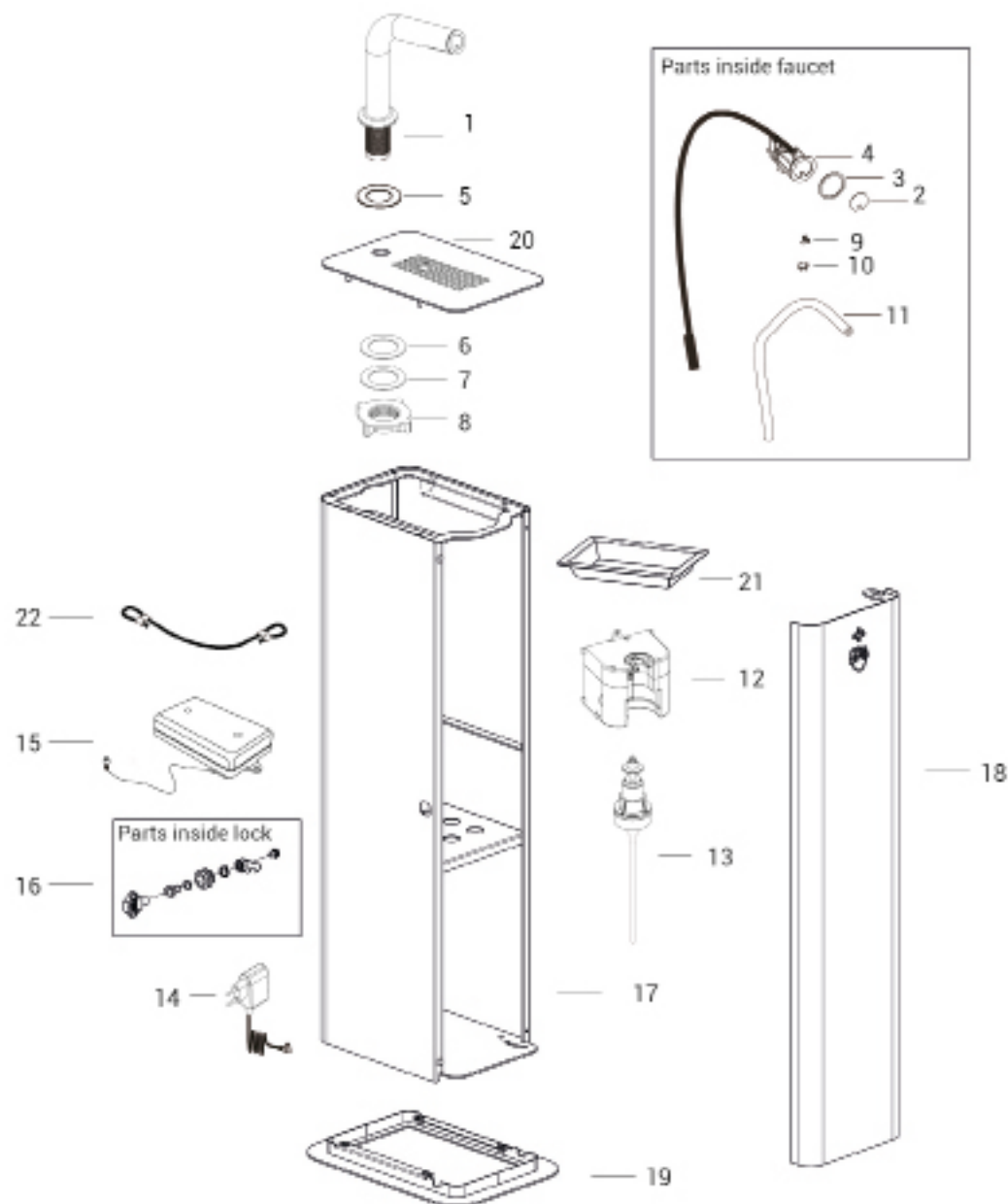
- Do not rinse with running water
- Use a damp cloth and mild cleaning solution. Never use cleaning detergents with an abrasive effect
- Clean sensor for dust and dirt to prevent unintentional activation

TROUBLESHOOTING AND CORRECTIVE ACTIONS

SYMPTOM	POTENTIAL CAUSE	CORRECTIVE ACTION
No disinfectant is delivered	Low supply	Refill the disinfectant bottle
	Sensor window is dirty	Clean the sensor window
	Obstruction in front of the sensor window	Remove the obstruction
	Damaged sensor	Contact DAN DRYER for advice
	Tube disconnected from pump	If the end of the tube is damaged, please remove the damaged part. The undamaged tube is to be mounted on the nozzle exit of the pump
	Sensor cabling disconnected from control box	Check that the cable from the faucet is installed correctly in the control box
	Power supply has been disconnected	Check that the cable from the adapter or the external battery box is installed correctly in the control box (see page 7)
	AC/DC adapter not connected	Check that the AC/DC adapter is plugged into the wall and is getting power
The dispenser activates unintentionally	Sensor window is dirty	Clean the sensor window
	Obstruction in front of the sensor window	Remove the obstruction
	Damaged sensor	Contact DAN DRYER for advice

PARTS LIST

No.	Description
1	Faucet complete
2	End piece
3	Rubber ring
4	Holder for LED print and sensor
5	Rubber gasket (top)
6	Rubber gasket (bottom)
7	Nylon bushing
8	Clamping nut
9	Tube/nozzle connecting part
10	Nozzle for disinfectant
11	Tube 700mm
12	Control box (DC)
13	Pump for disinfectant
14	AC/DC adapter
15	External battery box
16	Lock complete
17	Housing
18	Front cover
19	Mounting base
20	Top plate
21	Drip tray
22	Collar band





VIA University
College

DAN DRYER A/S
Tåsingevej 2
DK - 8940 Randers SV

Tel: +45 8641 5711
Email: info@dandryer.com
dandryer.com